

## R15003001 Torque Multiplier Ford



### GEDORE Automotive GmbH

Breslauer Straße 41  
78166 - Donaueschingen  
Postfach 1329  
78154 Donaueschingen - GERMANY  
☎ +49 (0) 771 / 8 32 23-0  
☎ +49 (0) 771 / 8 32 23-90  
✉ info.gam@gedore.com



[www.gedore-automotive.com](http://www.gedore-automotive.com)



10/2025

R15003001\_\_EN251030.indd

## PRODUCT DESCRIPTION

### R15003001 - Torque multiplier Ford

Suitable for central screws at the crankshaft pulley for Ford 1.0 + 1.1 (Duratec / EcoBoost) 3 cylinder petrol engines and for 2.0 (Duratorq / EcoBlue) 4 cylinder diesel engines with toothed belt in oil bath.

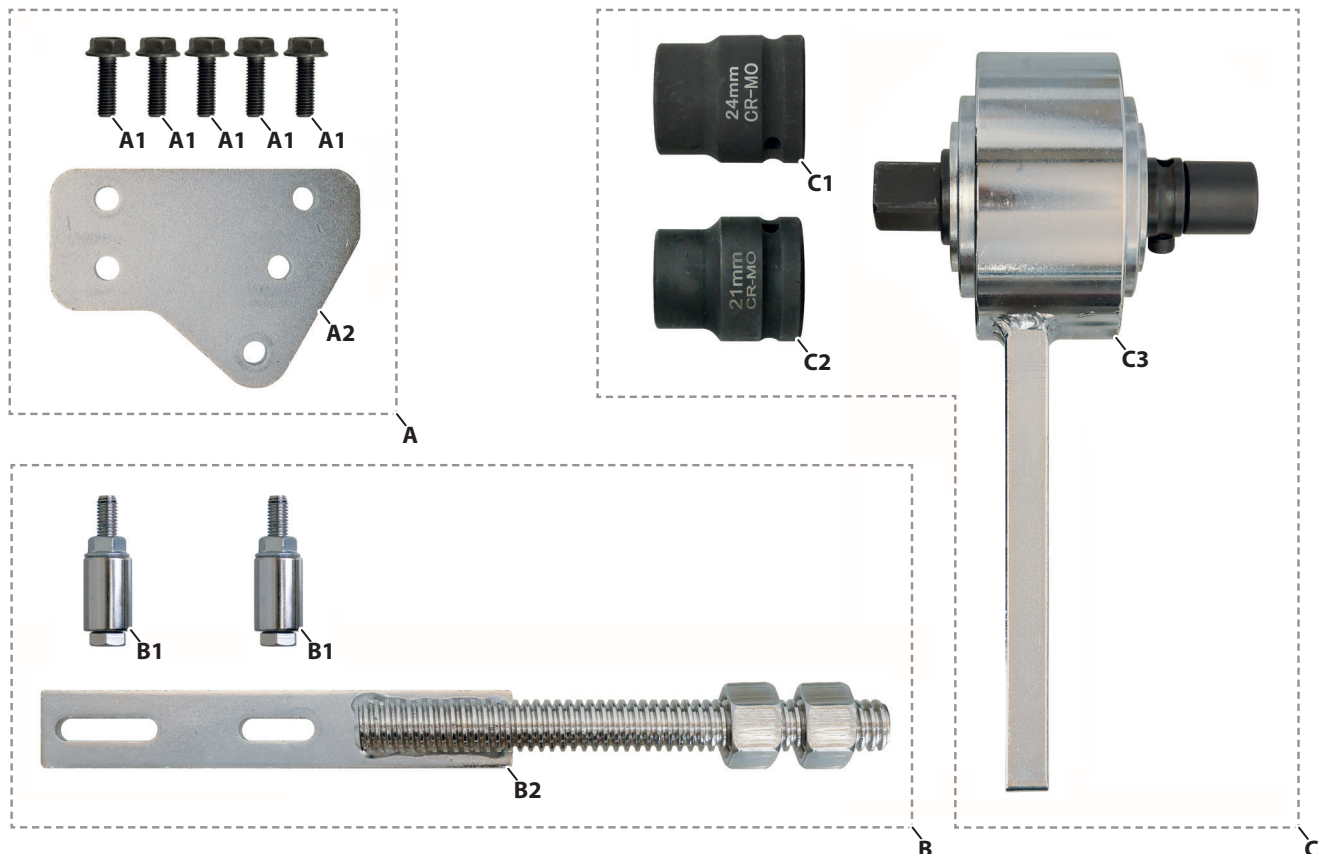
Installed on e.g. Ford B-MAX (JK), C-MAX II + Grand C-MAX (DXA/CB7/CEU), EcoSport II, Mondeo V (CF, CE, CD) Fiesta VI (CB1, CCN), Focus III, Tourneo Connect + Grand + Custom (V362, V408, B460), Transit + Courier + Connect + Custom (V363, B460, V408, FED, FFD, FCD, FAD, FBD, FY, FZ, F3) and others...

Engine code: B3GA, B7DA, B7DC, B7JA, B7JB, B7JC, B7JE, B7JG, BZJA, FSJB, M0DC, M0JA, M0JB, M1CA, M1CB, M1DA, M1DC, M1DD, M1DH, M1FA, M1JA, M1JC, M1JE, M1JH, M1JJ, M1JL, M1JM, M1JP, M1JU, M2DA, M2DB, M2DC, M2GA, M2GB, P4JA, P4JB, P4JC, P4JD, Q0JA, Q0JB, Q0JC, Q0JD, R0DA, R0DB, SFCA, SFCB, SFCC, SFCD, SFCE, SFCE, SFDA, SFDB, SFJA, SFJB, SFJC, SFJD, SFJE, SFJF, SFJH, SFJJ, SFJK, SFJL, SFJN, SFJP, XMJA, XMJB, XMJC, XMJD, XPJA, XPJB, XPJC, XPJD, XYJA, XYJB, XYJC, XYJD, XYJE, XYJF, YYJA, YYJB, YYJC, YYJD, YYJE, YYJF, YYJG.

- Powerful torque multiplier incl. counterholder and sockets
- For professional removal and tightening of the central screw on the crankshaft pulley
- Required when replacing the toothed belt or when repairing the engine
- Gear ratio 1:5 as with the original tool
- Enables torque tightening in accordance with the manufacturer specifications
- Similar to use as OEM No. 303-1611, 303-1611-01, 303-1611-02

### Recommended accessories:

Reversible socket spanner 1/2" - **GEDORE 1993 U-20**, Torque wrench 1/2" - **GEDORE 4550-10**



**Scope of supply/component overview**

Item	Description	Quantity	Similar to use as OEM No.
A	Adapter plate for counter-support	1	<b>303-1611-02</b>
A1	Fastening bolt	5	-
A2	Adapter plate	1	-
B	Counter-support for torque multiplier	1	<b>303-1611-01</b>
B1	Fastening bolt with spacer	2	-
B2	Counter-support	1	-
C	Torque multiplier	1	<b>303-1611</b>
C1	Socket spanner SW24	1	-
C2	Socket spanner SW21	1	-
C3	Torque multiplier	1	-

 **Storage:** Plastic case

**Specifications**

Drive..... 1/2" (12.5mm)  
 Downforce: ..... 3/4" (20mm)  
 Gear ratio:..... 1:5  
 Wrench sockets:..... Hexagon socket 21 + 24mm  
 Weight:..... 7.5kg

** SAFETY INSTRUCTIONS AND REGULATIONS**

- Read and understand this product information **before using** the special tool. This serves to familiarise you with the special tool for **safe use!**
- Use the special tool similar to the original tool **according to the instructions and requirements of the vehicle manufacturer!**
- Use the special tool **as intended** and **always** carry out maintenance and repair work in compliance with the regulations on occupational safety and accident prevention as well as the vehicle manufacturer's instructions!
- Before **each** use, check the special tool **carefully** for damage, loose parts, or unauthorised modifications. **Never** use it, if you notice any such deficiencies!
- **Prior to each use**, check the moving parts and threads of the special tool for dirt. If necessary, clean and lubricate them **only** with molybdenum disulphide paste, such as **KL-0014-0030!**
- **Always** wear your personal protective equipment, e.g. safety goggles, protective gloves, safety shoes during work if necessary!
- Interrupt your work **immediately** if you are unsure about using the special tool, and contact **GEDORE Automotive GmbH if necessary!**
- Dispose of the special tool and its packaging material in an environmentally compatible way in accordance with the legal requirements. If necessary, ask your local authorities or **GEDORE Automotive GmbH** about environmentally friendly disposal options!

## GEDORE Automotive GmbH

Breslauer Str. 41  
78166 Donaueschingen / GERMANY  
Tel: +49 771 83 223 0  
Fax: +49 771 83 223 90  
[www.gedore-automotive.com](http://www.gedore-automotive.com)

## GEDORE Headquarter:

### GEDORE Werkzeugfabrik GmbH & Co. KG

Remscheider Str. 149  
42899 Remscheid / GERMANY  
Tel: +49 2191 596 900  
Fax: +49 2191 596 999  
[www.gedore.com](http://www.gedore.com)

## GEDORE International:

### GEDORE Torque Solutions GmbH

Bertha-Benz-Straße 12  
71665 Vaihingen/Enz  
GERMANY  
Tel: +49 70 42 94 41 0  
Fax: +49 70 42 9441 41  
[www.gedore-torque-solutions.com](http://www.gedore-torque-solutions.com)

### GEDORE France SARL

Parc d'activités des Béthunes – La Mare II 10, avenue du Fief – Bâtiment 12  
BP 79144 - Saint-Ouen-L'Aumône / 95074 CERGY PONTOISE CEDEX  
FRANCE  
Tél: +33 1 34 40 16 60  
Fax: +33 1 34 40 16 61  
[www.gedore.fr](http://www.gedore.fr)

### GEDORE Polska Sp. z o.o.

Żwirki i Wigury 56, Mikołów  
POLAND  
Tel: +48 32 738 40-10  
Fax: +48 32 738 40-20  
[www.gedore.pl](http://www.gedore.pl)

### GEDORE Tools South Africa (PTY) Ltd.

103 Qashana Khuzwayo Road, Durban / Kwazulu-Natal  
New Germany, 3610  
SOUTH AFRICA  
Tel: +27 3 17 05 35 87  
Fax: +27 3 17 05 47 35  
[www.gedore.co.za](http://www.gedore.co.za)

### GEDORE Tool Trading Co., Ltd. Shanghai, China

1/F, Block 2, 1358 Pingan Road  
Minhang, Shanghai, China 201109  
CHINA  
Tel: +86 21 33 88 72-58  
Fax: +86 21 33 88 72-59  
[www.gedore.cn](http://www.gedore.cn)

### GEDORE Ibèrica S.L., Spain

c/Arangutxi 12, Poligono Industrial de Júndiz  
01015 Vitoria Alava  
SPAIN  
Tel: +34 945 292 262  
Fax: +34 945 292 199  
[www.gedore.es](http://www.gedore.es)

### GEDORE AUSTRIA GmbH

Gedore-Straße 1  
8190 Birkfeld  
AUSTRIA  
Tel: +43 3174 3636 0  
Fax: +43 31 74 36 38 320  
[www.gedore.at](http://www.gedore.at)

### GEDORE Technag BV, Netherlands

Flemingweg 7  
2408 AV Alphen aan Den Rijn  
NETHERLANDS  
Tel: +31 1 72 42 73 50  
Fax: +31 1 72 42 73 60  
[www.gedore.nl](http://www.gedore.nl)

### GEDORE India Pvt. Ltd.

Plot No. 148, Sector-3, IMT Manesar  
Gurugram, Haryana-122051  
INDIA  
Tel: +91 124 4087979  
[www.gedore.in](http://www.gedore.in)

### Ferramentas GEDORE do Brasil S.A.

Rua Vicentina Maria Fidélis, 275 Bairro Vicentina  
São Leopoldo - RS - CEP: 93025-340  
BRASIL  
Tel: +51 35 89 92 00  
Fax: +51 35 89 92 22  
[www.gedore.com.br](http://www.gedore.com.br)

### GEDORE UK Ltd.

Marston St, Skipton  
North Yorkshire BD23 1TF  
UNITED KINGDOM  
Tel: +44 17 56 70 67 00  
Fax: +44 17 56 79 80 83  
[www.gedoreuk.com](http://www.gedoreuk.com)

### GEDORE Tools Inc. USA

300 Langner Rd., Suite 250  
West Seneca, NY 14224  
USA  
Tel: +1 843 225 5015  
[www.gedoretools.com](http://www.gedoretools.com)